

LMSSC PACKAGING STANDARD

P-108
Revision 2
Page 1 of 3
05-26-2009

SPECIAL PACKAGE FOR INSULATING BLANKETS – WITH OR WITHOUT TCS

1.0 SCOPE

This standard provides a package which will maintain both the required cleanliness level of Thermal Control Surfaces and afford physical protection.

2.0 REFERENCES

- 2.1 Lockheed Specification LAC 1001, Protective Packaging and Handling, General Specification for (reference)
- 2.2 Lockheed Specification LAC 1002, Protection of Thermal Control Surfaces OD 14309, Preparation of Material and Parts for Storage, General Requirements for (reference)
- 2.3 Lockheed Specification LAC 3192, Fabrication of Thermal-Control Blankets
- 2.4 Lockheed Packaging Standard LPS 40-001, General Requirements Specification
- 2.5 Lockheed Packaging Standard P-201, Thermal Control Surfaces Warning Labels

3.0 REQUIREMENTS

3.1 GENERAL

Not Applicable

3.2 UNIT PACKAGING

Individually wrap or bag each part in polyethylene film which complies with LAC 1002-002. Close bag by heat sealing. When wrap is used, overlap all seams 2 inches, minimum and seal with pressure-sensitive tape (Figure 1). Place one wrapped part between 2 sheets of double-faced corrugated fiberboard (275# test, minimum) with edges of board flush with edges of wrapped part (Figure 2). Secure wrapped or bagged part with tape (Figure 3). LAC 1002-002 compliance is waived when parts do not have TCS.

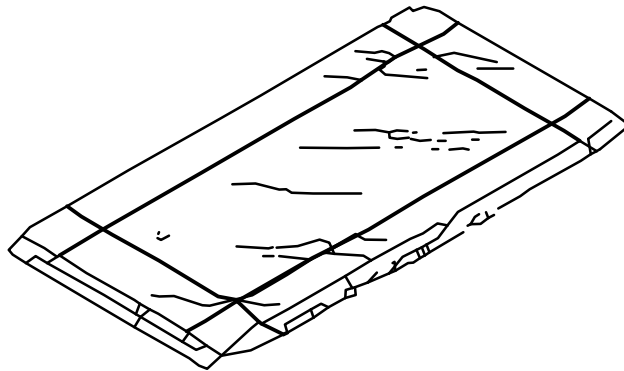


Figure 1.

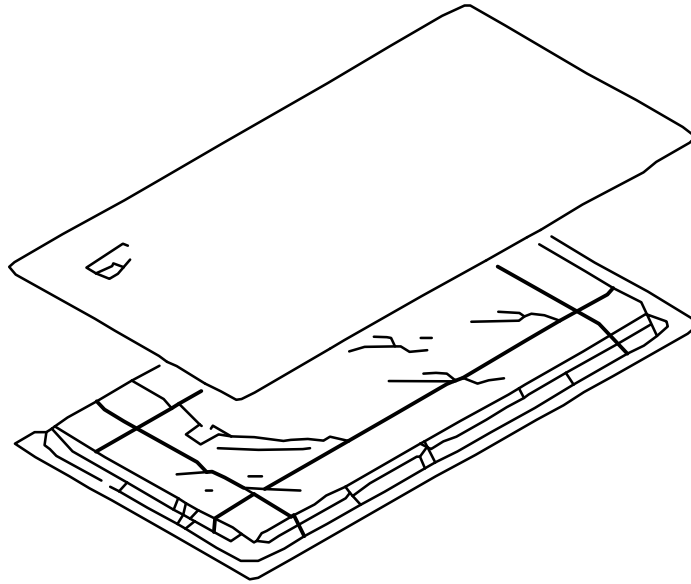


Figure 2.

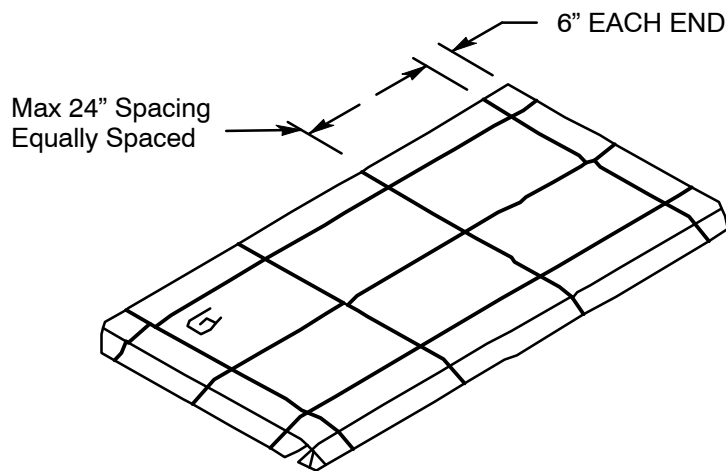


Figure 3.

3.3 INTERMEDIATE PACKAGING

Not applicable.

3.4 PACKING

Pack not more than 5 unit containers in a shipping container (Figure 4) which conforms to the basic construction features of ASTM D6251, Type A or B. Fill all voids with flexible nondusting cushioning material. Shredded material is not acceptable. The closures and the gross weight of the loaded container shall conform to both carrier regulations and container limitations. Place one copy of the shipping documents either in the shipping container or affixed, in a protective envelope, to the outside of the container.

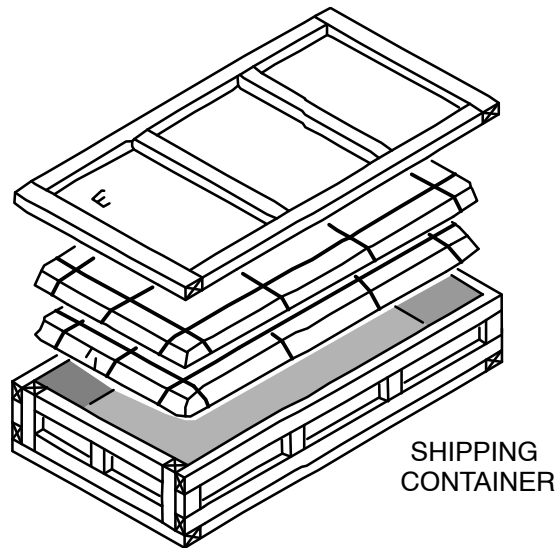


Figure 4.

3.5 MARKING

3.5.1 UNIT PACKAGE MARKING

Label or mark each unit package to show, at least, supplier identity, part number per contracting document, and apply Thermal Control Label per P-201, when applicable.

3.5.2 SHIPPING CONTAINER MARKING

Label or mark each container to show at least, part number per contracting document, the LMSSC contracting document number, supplier, destination and quantity of parts. Apply Thermal Control Label per P-201, when applicable.

4.0 QUALITY ASSURANCE

Packaging shall be accomplished in such a manner as to prevent physical damage to, or degradation of, the packaged items during delivery to the using activity. The handling, packaging and transportation of blankets shall comply with LAC 3192. It shall be the prerogative of LMSSC to return damaged items, at supplier's expense, where such damage is attributable to improper or inadequate packaging. Weights and cubes of unit, intermediate and shipping containers shall be held to practical minimums.

5.0 NOTES

5.1 The following information is intended as a guide or aid to suppliers in meeting the requirements of this specification.

5.1.1 REFERENCES

Commodity

Box, Wood, Cleated-Plywood (design only)

Tape, Pressure-Sensitive Adhesive, Waterproof, for Packaging (design only)

Military/Commercial Specification

ASTM D6251

ASTM D5486